

**PLEASE CHECK WWW.MOLEX.COM FOR LATEST PART INFORMATION**

**Part Number:** [0357501710](#)  
**Status:** **Active**  
**Description:** Ring Tongue Terminal for 9-14 AWG (2.20~6.70mm<sup>2</sup>), Stud Size 8 M4, Tin Plating

**Documents:**

[Drawing \(PDF\)](#) [RoHS Certificate of Compliance \(PDF\)](#)  
[Product Specification PS-35750-005 \(PDF\)](#)

**General**

Product Family	Ring and Spade Terminals
Series	<a href="#">35750</a>
Crimp Quality Equipment	Yes
Mil-Spec	N/A
Product Name	N/A
Type	Ring

**Physical**

Barrel Type	Open
Insulation	None
Material - Plating Mating	Tin
Packaging Type	Reel
Plating min: Mating (µin)	40
Plating min: Mating (µm)	1
Plating min: Termination (µin)	40
Plating min: Termination (µm)	1
Stud Size	8 (M4)
Temperature Range - Operating	-40°C to +105°C
Termination Interface: Style	Crimp or Compression
Wire Insulation Diameter	5.00mm (.197") max.
Wire Size AWG	10, 12, 14
Wire Size mm <sup>2</sup>	2.20 - 6.70

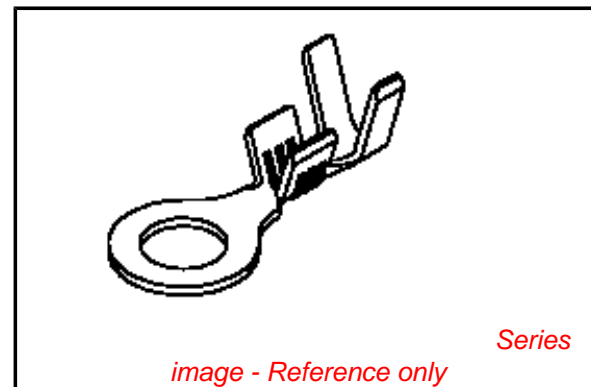
**Electrical**

Voltage - Maximum	300V AC
-------------------	---------

**Material Info**

**Reference - Drawing Numbers**

Product Specification	PS-35750-005
Sales Drawing	SD-35750-17*0



**EU RoHS**

**ELV and RoHS  
Compliant**  
**REACH SVHC  
Contains SVHC: No**  
**Halogen-Free  
Status**

**China RoHS**

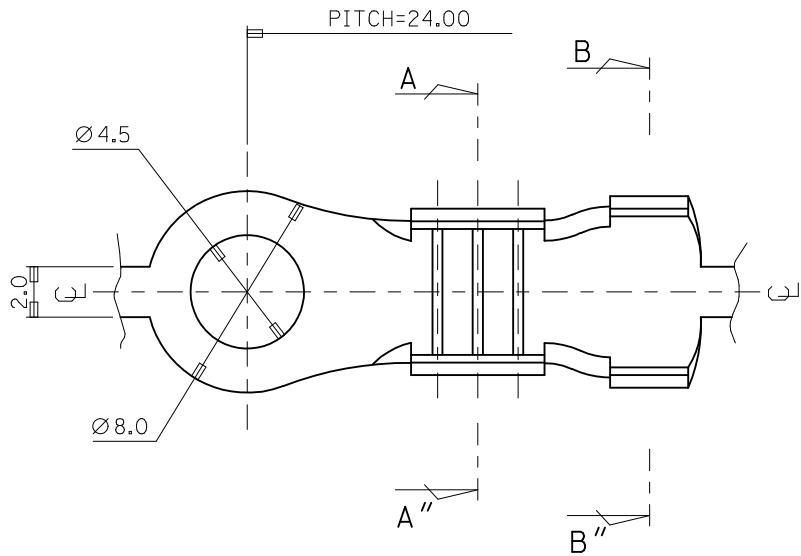


**Need more information on product  
environmental compliance?**

Email [productcompliance@molex.com](mailto:productcompliance@molex.com)  
 For a multiple part number RoHS Certificate of  
 Compliance, [click here](#)

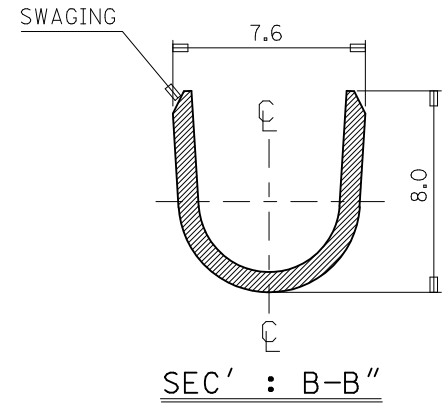
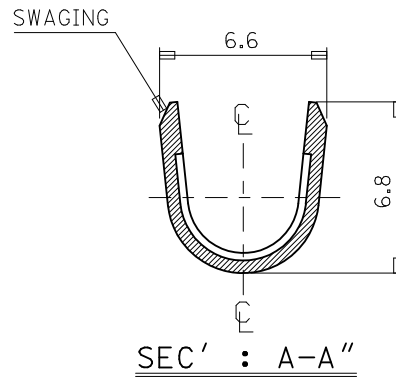
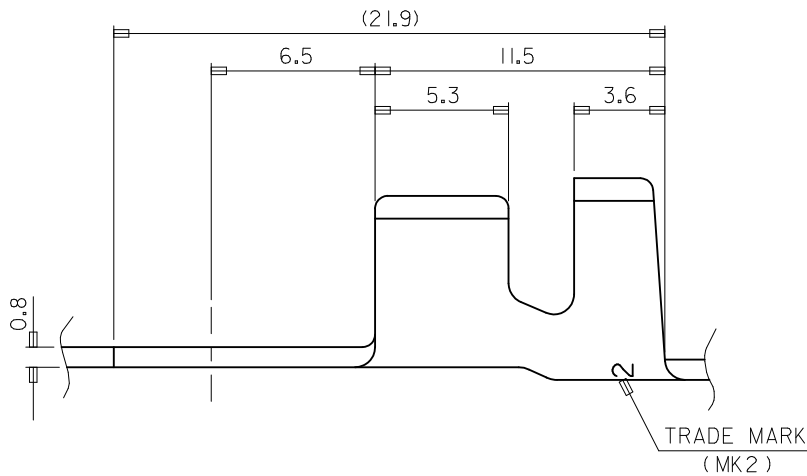
Please visit the [Contact Us](#) section for any  
 non-product compliance questions.

**Search Parts in this Series**  
[35750Series](#)



NOTES.

1. MATERIAL : BRASS 0.8 THICKNESS
2. FINISH : 35750-1700 : UNPLATED  
35750-1710 : POST PLATED TIN
3. APPLICABLE WIRE : AWG#8~AWG#12<sup>®</sup>  
INSULATION RANGE  $\phi 5.4 \text{ MAX}^{\circ}$
4. RECOMMENDED LENGTH OF WIRE STRIP IS 7.0~7.8mm<sup>®</sup>



REVISED EC NO: KOR2010-0083 DRWN: JHPARK01 2009/12/22 CHKD: WY. YANG 2009/12/22 APPR: YUNSIKKIM 2009/12/22	DESCRIPTION D	QUALITY SYMBOLS	GENERAL TOLERANCES (UNLESS SPECIFIED)	DIMENSION STYLE	SCALE	DESIGN UNITS	THIRD ANGLE PROJECTION
		$\nabla = 0$ $\square = 0$	mm    INCH 4 PLACES ± --- ± --- 3 PLACES ± --- ± --- 2 PLACES ± --- ± --- 1 PLACE ± 0.3 ± --- ANGULAR ± 2 °	MM ONLY	1:1	METRIC	
			DRAFT WHERE APPLICABLE MUST REMAIN WITHIN DIMENSIONS	DRAWN BY	DATE	TITLE	
				JS. KANG	1993/07/08	4.5 RING TM(LA204)	
				CHECKED BY	DATE		
				BK. CHOI	1993/07/08		
				APPROVED BY	DATE		
				MATERIAL NO.	DOCUMENT NO.		
				SEE NOTES	SD-35750-17*0		
				SIZE			
				A3			
				THIS DRAWING CONTAINS INFORMATION THAT IS PROPRIETARY TO MOLEX INCORPORATED AND SHOULD NOT BE USED WITHOUT WRITTEN PERMISSION			